

4

3

2

1

D

D

Front single-opening door with hexagonal mesh ventilation holes

Sectional Removable/Lockable Side Panel

Channel base (optional)

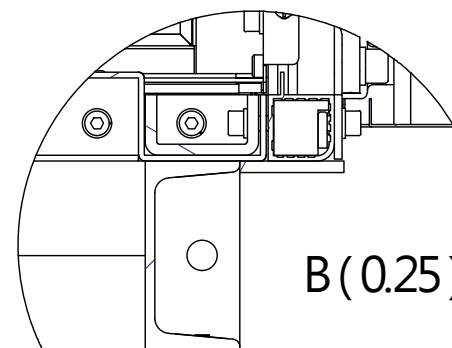
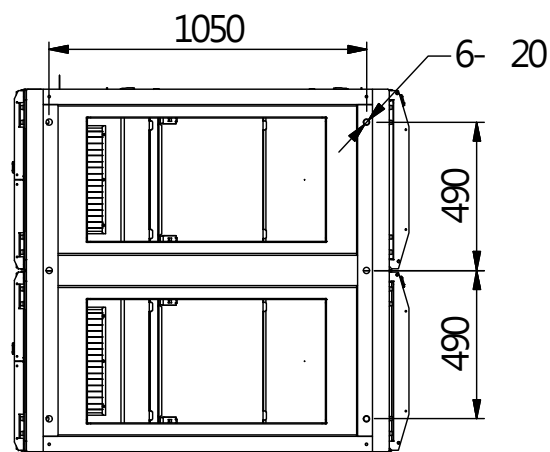
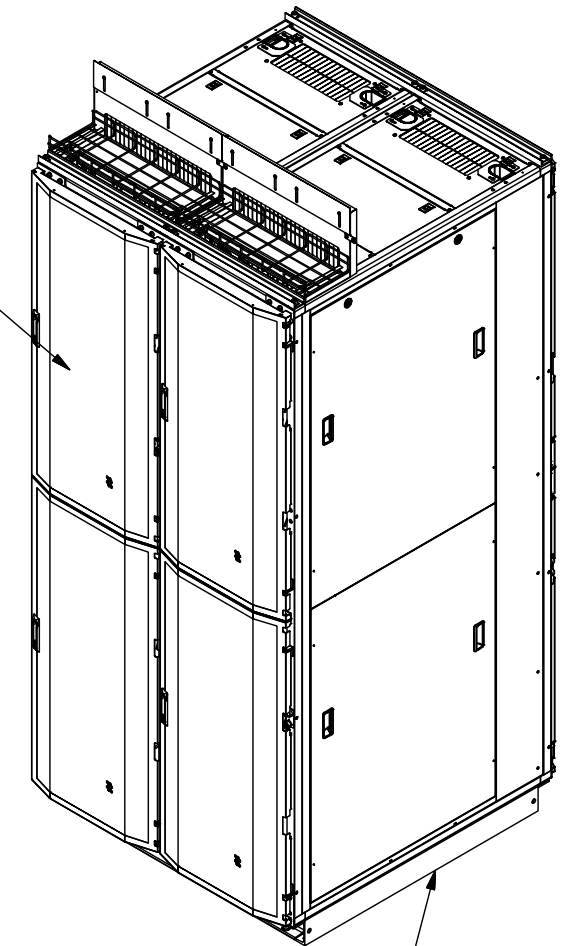
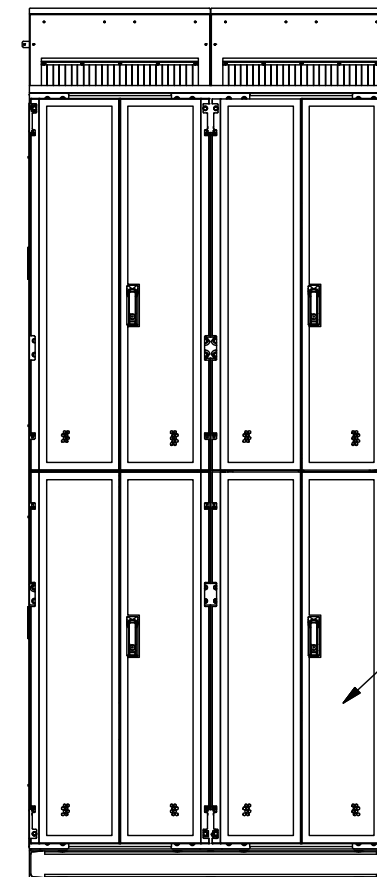
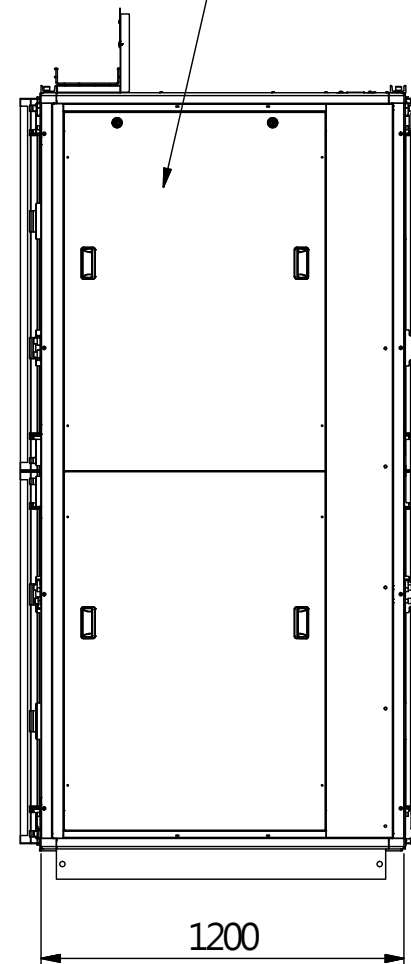
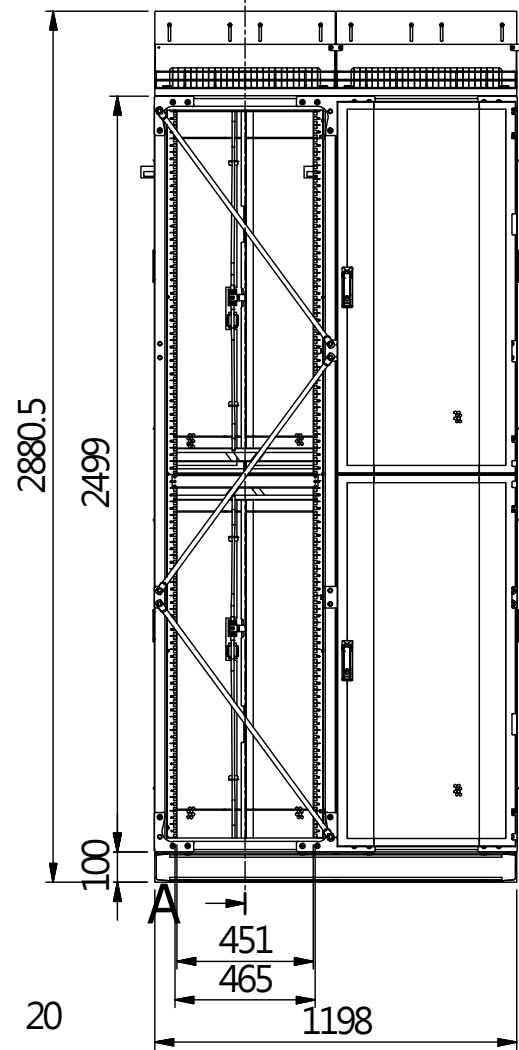
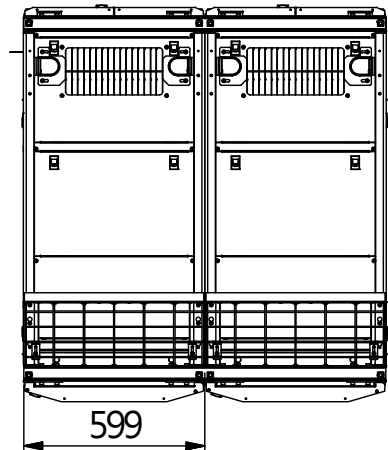
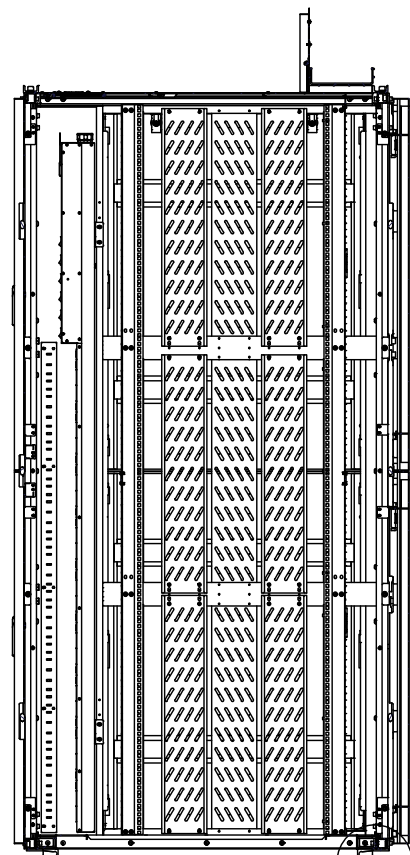
Rear double-opening door with hexagonal mesh ventilation holes

A-A (0.04)

A

B

B (0.25)



PROPRIETARY AND CONFIDENTIAL THE INFORMATION CONTAINED IN THIS DRAWING IS THE SOLE PROPERTY OF ISTARUSA GROUP. ANY REPRODUCTION IN PART OR AS A WHOLE WITHOUT THE WRITTEN PERMISSION OF ISTARUSA GROUP IS PROHIBITED.

DIMENSIONS ARE IN MM TOLERANCES: FRACTIONAL ± ANGULAR: MACH ± BEND ± TWO PLACE DECIMAL ± THREE PLACE DECIMAL ±

MATERIAL

FINISH

NAME DATE

DRAWN

CHECKED

ENG APPR.

MFG APPR.

Q.A.

COMMENTS:

NEXT ASSY USED ON

BY EA

iStarUSA™

WN54120 Server Rack

SIZE DWG. NO. REV. A3 0

SCALE:0.04 WEIGHT: 不適用 SHEET : 1 / 2

4

3

2

1

A

A